

AquaLIGHT 306 C

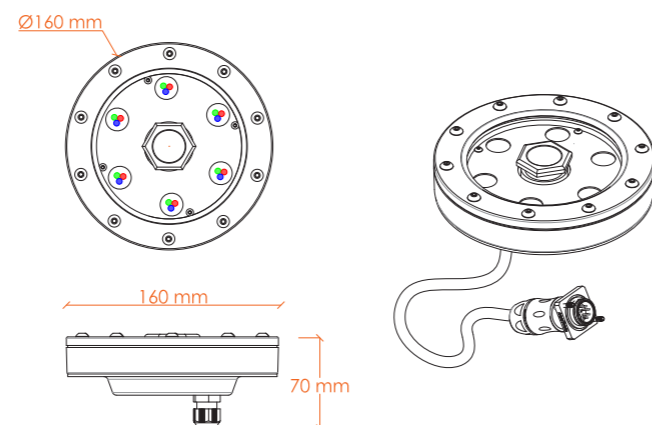
Unleashing Brilliance Everywhere.



The main colors of RGB lights are each measured for their brightness. Our AquaLIGHT 306 C provides equal brightness, creating a homogeneous color combination. These types of lights are designed with extra high-grade strength for use in public installations. In underwater settings, they impressively enhance fountains and water features.

- ✓ Edison PowerLED
- ✓ Driver circuit onboard
- ✓ Aluminium PCB
- ✓ IP68
- ✓ Robust stainless steel
- ✓ Tempered glass
- ✓ DMX + RDM controlled
- ✓ Synchronorm Depence Library available

Schematic :



www.aquatronic.com.tr

AquaLIGHT 306 C



ACCESSORIES

PRODUCT	ORDER NO
BlackBox :	5022
Combo Cable :	page
ByPass Terminal :	page
Comet Nozzle :	page
Top Plate Round Ø 200 :	1201
Top Plate Round Ø 280 :	1203
Bucket :	1206
Top Plate Holder :	1207
Top Plate Premium 30x30 :	Design for request

TECHNICAL DETAILS

MODEL :	AquaLIGHT 306 C
DIMENSION (ØxH) :	160 x 70 mm
VOLTAGE :	24 VDC
POWER :	16.5 W
CURRENT :	0.7 A
COLORS :	RGB
POWER & DMX :	Combo Cable
LUMINOUS FLUX RGB FULL :	1025 lm
WEIGHT :	0.8 kg
PRODUCT NO :	3026

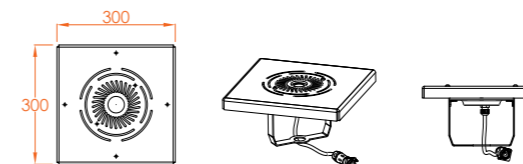
DryDECK Options :



! Top Plate Round Ø 200 with AquaLIGHT 306C

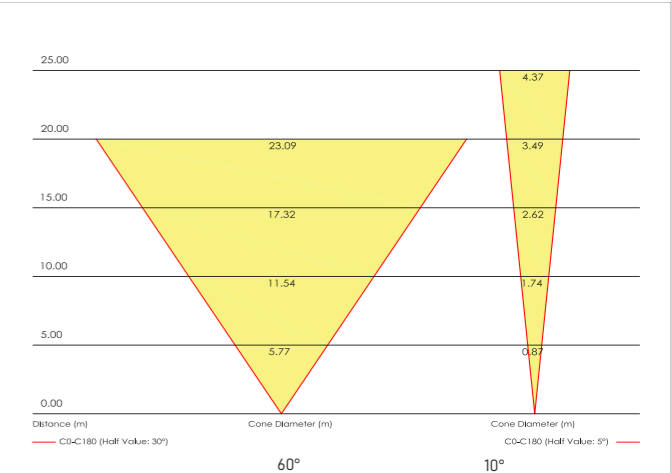


! Top Plate Round Ø 280 with AquaLIGHT 306 C and Top Plate Holder.



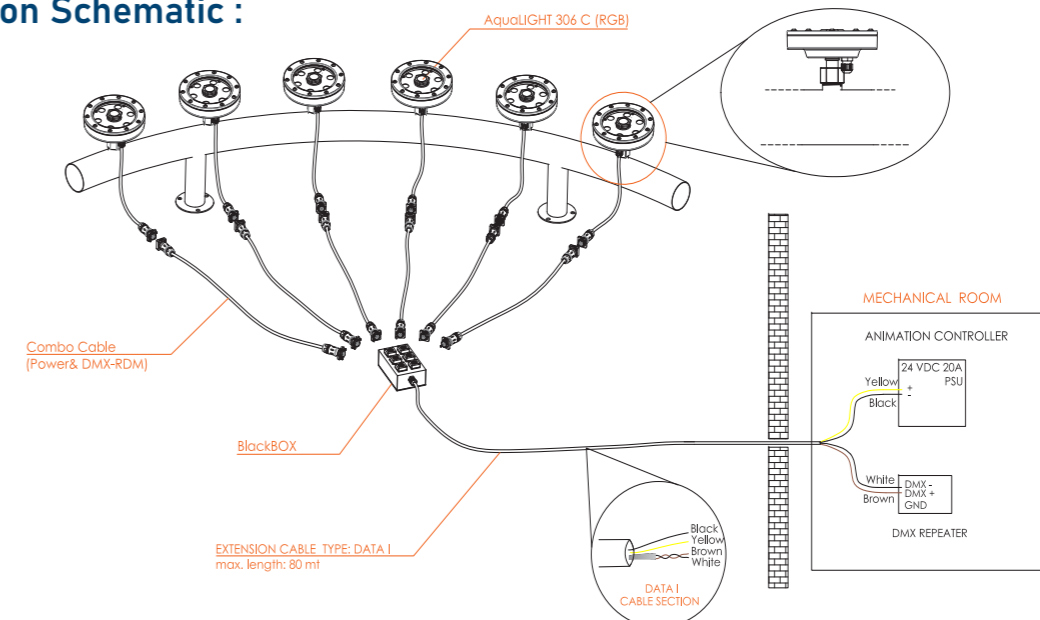
! Top Plate Premium 30x30 with AquaLIGHT 306 C and Top Plate Holder

Lighting Angle:



! In lighting, choosing the lens angle is as important as selecting the color or wattage. Small angles retain brightness at long distances, while wide angles cover larger areas but lose brightness over distance.

Connection Schematic :



AQUATRONIC WAVES OF EMOTION